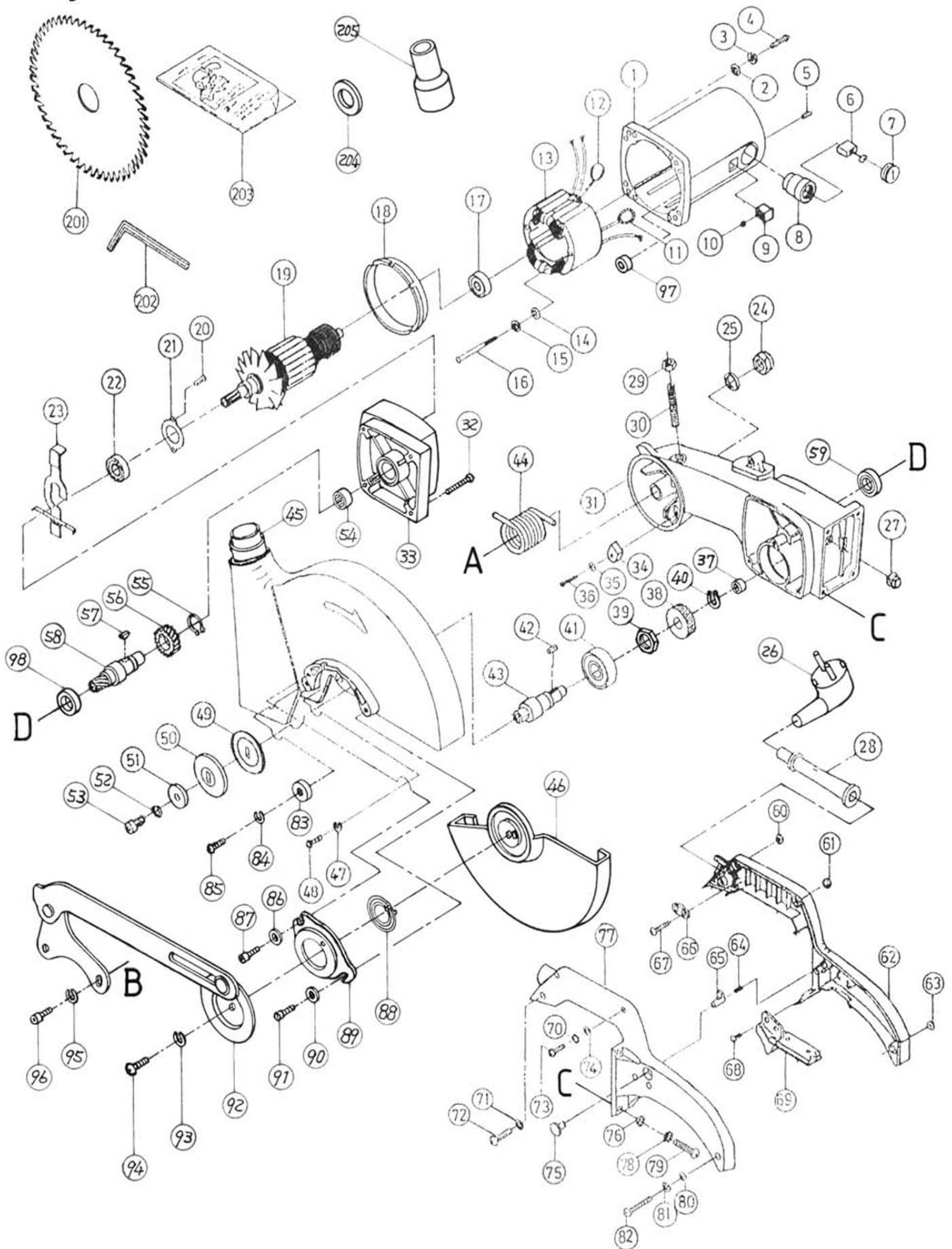


JEPSON

Dry Miter Cutter 9211D

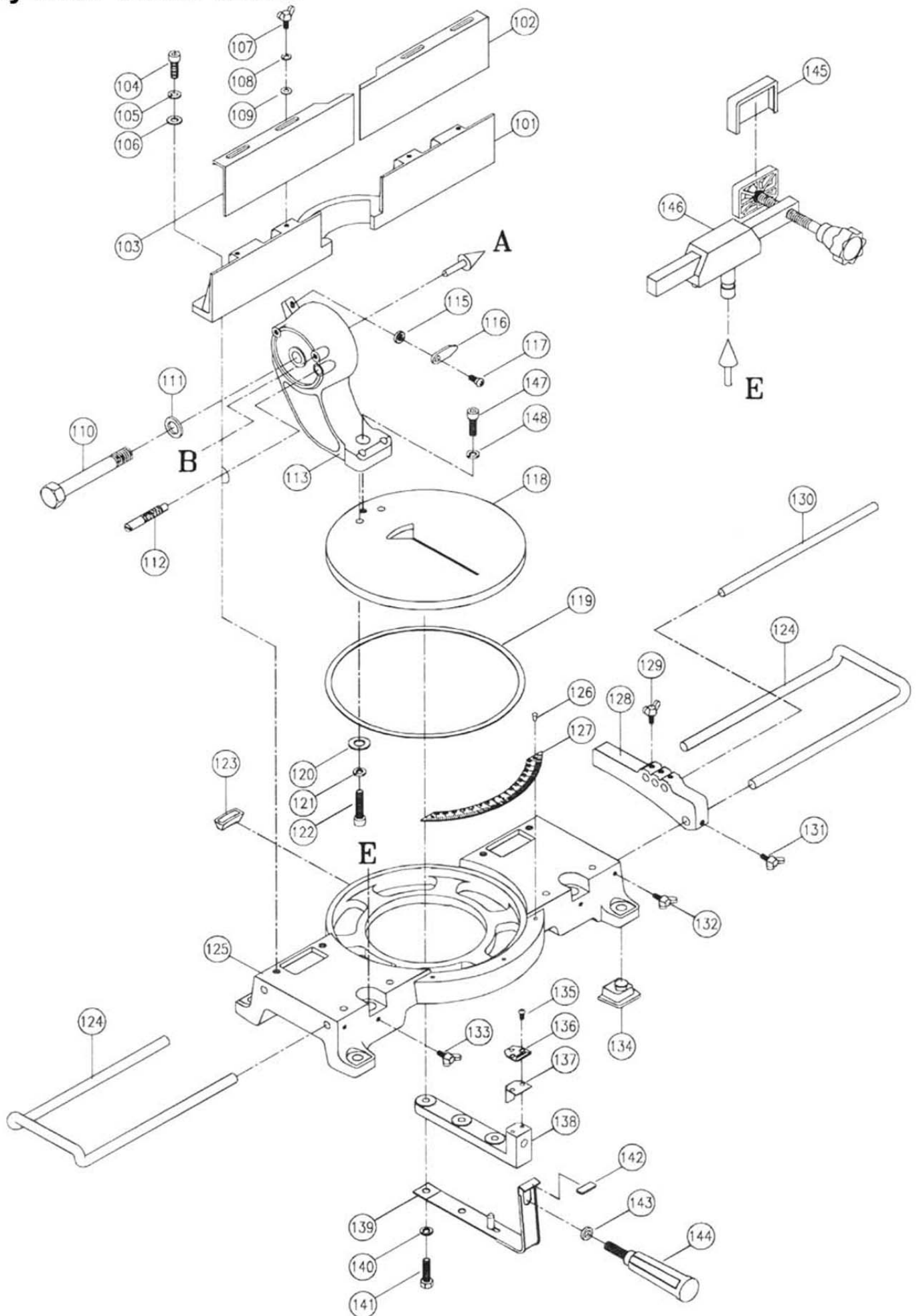
Technical drawing 1/2



JEPSON

Dry Miter Cutter 9211D

Technical drawing 2/2



JEPSON

Dry Miter Cutter 9211D

Spare part list 1/2

ITEM NO.	PART NO.	Q'TY USED	PART NAME
1	1607059	1	Motor Housing
2	2223050	4	Flat Washer ? 5
3	2222050	4	Spring Washer ? 5
4	2413027	4	? Pan Hd. Screw M5x27
5	2443010	2	Hex. Socket No Hd. Screw M5x10
6	0901008	2	Carbon Brush
7	0902006	2	Bakelite Nut
8	0903028	2	Carbon Brush Holder
9	1604017	2	Nut Housing
10	3301005	2	Hex. Nut M5
11	2210005	2	Copper Spring
12	2207043	2	Spring Loop
13	1001092	1	Field Assembly (115V)
	1002092	1	Field Assembly (230V)
14	2225050	2	Inner Tooth Washer ? 5
15	2222050	2	Spring Washer ? 5
16	2413070	2	? Pan Hd. Screw M5x70
17	0604010	1	Ball Bearing N6200-2RS
18	1201018	1	Fan Guide
19	1803058	1	Armature Assembly (115V)
	1804058	1	Armature Assembly (230V)
20	2422010	4	? Counter Sunk Hd. Screw M4x10
21	1202017	2	Bearing Retainer
22	0604007	1	Ball Bearing N6002-2RS
23	1209448	1	Spindle Locker
24	3306016	1	Hex. Nut With Plastic Insert M16
25	1209152	1	Flat Washer ? 16x? 24
26	1114012	1	Power Supply Cord With Plug(115V)
	1116012	1	Power Supply Cord With Plug(230V)
	1106002	1	Power Supply Cord With Plug(VDE)
	1106012	1	Power Supply Cord With Plug (SAA)
27	1606023	1	Wire Guard
28	1604242	1	Cord Guard
29	3301010	1	Hex. Nut M10
30	2468070	1	No Hd. Screw M10x70
31	3005130-1	1	Gear Housing
32	2413035	4	? Pan Hd. Screw M5x35
33	3002045	1	Inner Cover
34	1604042	1	Cushion
35	2223050	1	Flat Washer ? 5

ITEM NO.	PART NO.	Q'TY USED	PART NAME
36	2413020	1	? Pan Hd. Screw M5x20
37	0607005	1	Needle Bearing HK-1210
38	1905071	1	Spiral Bevel Gear
39	2109020	1	Hex. Nut M20
40	2203180	1	Retaining Ring C-18
41	0606021	1	Ball Bearing 6304LLU
42	2202030	1	Square Key 4x4x10
43	2004042-1	1	Spindle
44	2207024	1	Torsion Spring
45	3005127Y	1	Blade Case
46	3005147	1	Safety Cover
47	2222050	3	Spring Washer ? 5
48	2413020	3	? Pan Hd. Screw M5x20
49	2104050	1	Flange
50	2104050	1	Flange
51	2106134	1	Flat Washer &? 30x2.8
52	2222080	1	Spring Washer ? 8
53	2106037	1	Hex. Socket Hd. Screw &20(L)
54	0607012	1	Needle Bearing TLA-1012
55	2203140	1	Retaining Ring G14
56	1905103	1	Pinion Gear
57	2201006	1	Woodruff Key 4x? 13
58	1906026	1	Gear Shaft
59	0606007	1	Ball Bearing 6002-2RS
60	3301005	1	Hex. Nut M5
61	3301004	2	Hex. Nut M4
62/77	1601025S	1	Switch Handle Set (R+L)
63	3301004	2	Hex. Nut M4
64	2207017	1	Spring
65	1604310	1	Stopper
66	1604018	1	Strain Relief
67	2492014	2	Tapping Screw TS4x14
68	2492010	2	Tapping Screw TS4x10
69	0704067	1	Switch
70	2222040	2	Spring Washer ? 4
71	1209045	1	Flat Washer ? 5x? 9
72	2413026	1	? Pan Hd. Screw M5x26
73	2412018	2	? Pan Hd. Screw M4x18
74	1209044	2	Flat Washer ? 4x? 7
75	1604309	1	Push Pole

JEPSON

Dry Miter Cutter 9211D

Spare part list 2/2

ITEM NO.	PART NO.	Q'TY USED	PART NAME	ITEM NO.	PART NO.	Q'TY USED	PART NAME
76	1209058	4	Flat Washer ? 6	118	3005145-2	1	Disc
77				119	1209486	1	Washer
78	2222060	4	Spring Washer ? 6	120	2223080	2	Flat Washer ? 8x? 22
79	2414020	4	? Pan Hd. Screw M6x20	121	2222080	2	Spring Washer ? 8
80	1209044	2	Flat Washer ? 4x? 7	122	2456035	2	Hex. Socket Hd. Screw M8x35
81	2222040	2	Spring Washer ? 4	123	1606125	1	Rubber Jacket
82	2412028	2	? Pan Hd. Screw M4x28	124	1209015	2	Holder
83	1604265	1	Locating Ring	125	3101028-1	1	Base
84	2222050	1	Spring Washer	126	2212031	3	Rivet
85	2413015	1	? Pan Hd. Screw M5x15	127	1712038	1	Scale Plate
86	1209051	1	Flat Washer ? 6x? 15	128	3005049-1	1	Adjusting Bar
87	2454010	1	Hex. Socket Hd. Screw M6x10	129	2403012-1	1	Thumb Screw M5x12
88	2207091	1	Spring	130	2106452	1	Stopper
89	1209428-1	1	Support Plate	131	2404015	1	Thumb Screw M6x15
90	1209051	1	Flat Washer ? 6x? 15	132	2404015	2	Thumb Screw M6x15
91	2454010	1	Hex. Socket Hd. Screw M6x10	133	2404012	2	Thumb Screw M6x12
92	1501111-2	1	Guide Set	134	1606122	4	Rubber Foot
93	2222060	1	Spring Washer ? 6	135	2412010	2	? Pan Hd. Screw M4x10
94	2414012	1	? Pan Hd. Screw M6x12	136	1209104	1	Indicate Plate
95	2222060	2	Spring Washer ? 6	137	1209148	1	Back-up Plate
96	2454015	2	Hex. Socket Hd. Screw M6x15	138	3101030-1	1	Rake Adjuster
97	2106322	2	Sleeve	139	1209154	1	Spring Plate
98	1209144	1	Dust Seal	140	2222080	2	Spring Washer ? 8
101	3005144	1	Fence Guide	141	2476030	2	Hex. Hd. Screw M8x30
102	3005142	1	Adjusting Plate (R)	142	1606075	1	Rubber Jacket
103	3005143	1	Adjusting Plate (L)	143	1209284	1	Flat Washer ? 10x? 22
104	2456025	4	Hex. Socket Hd. Screw M8x25	144	1602006	1	Side Handle
105	2222080	4	Spring Washer ? 8	145	1606123	2	Rubber Jacket
106	2223080	4	Flat Washer ? 8	146	1501133	2	Vise Assembly
107	2403012-1	4	Thumb Screw M5x12	147	2456025	1	Hex. Socket Hd. Screw M8x25
108	2222050	4	Spring Washer ? 5	148	2222080	1	Spring Washer ? 8
109	2223050	4	Flat Washer ? 5				
110	2106153	1	Linking Shaft	STANDARD EQUIPMENT			
111	1209152	1	Flat Washer	201	1404048	1	Dry Cutter ? 10"x60T
112	2106130	1	Stopper Bolt	202	2603050	1	Hex. Wrench 5mm
113	3101029-2	1	Arm		2603060	1	Hex. Wrench 6mm
114				203	2905967	1	Instruction Manual
115				204	2108031	1	Sleeve ? 5/8"x? 1"
116	1209172	1	Stopper Plate	205	1604266	1	Pipe
117	2106144	1	? Pan Hd. Screw M6x14				